

N-Type Female Crimp connector

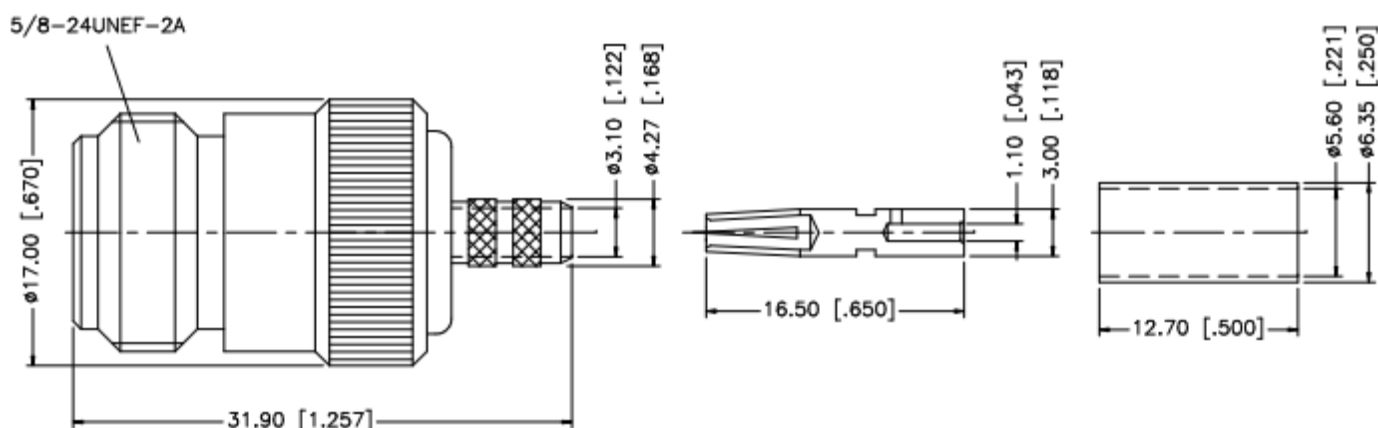
EZ-NF195

N-Type Female Crimp connector for 195 series cable.

N Series coaxial connectors are medium-sized, threaded coupling connectors designed for use from DC to 11 GHz.

Their consistently low broadband VSWR have made them popular over the years in many applications.

The N series connector is impedance matched to 50 ohm cables.



TECHNICAL SPECIFICATIONS

Impedance	50 ohm
Frequency Range	0 to 11.0 GHz
V.S.W.R.	1.3 max
Working Voltage	1,000 volts rms max at sea level
Dielectric Withstanding Voltage	2,500 volts rms max at sea level
Contact Resistance	Center contact=1.0 Milliohms max
Contact Resistance	Outer contact=1.0 Milliohms max
Insertion Loss	0.3 dB max at 10 GHz
Insulation Resistance	5,000 Megohms min
Body (Material/Finish)	Brass/Nickel
Center Pin (Material/Finish)	Bronze/Gold
Crimp Tube (Material/Finish)	Annealed Copper/Nickel
Dielectric	Teflon
O-Ring	Present

Connector

N-Type



Male Thread

Female Center Pin

Additional Images

