

SMA-Female to SMA-Female adapter

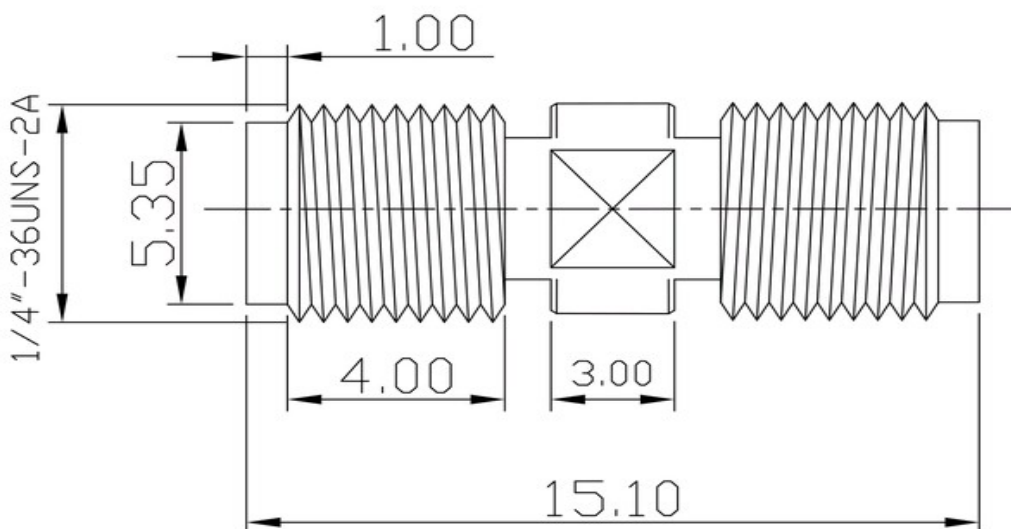
EZ-SMAF2SMAF

SMA Female to SMA Female adapter.

SMA to SMA Series coaxial adapters have medium-sized, threaded coupling connectors designed for use from DC to 11 GHz.

Their consistently low broadband VSWR have made them popular over the years in many applications.

The SMA to SMA series adapter is impedance matched to 50 ohm cables.



TECHNICAL SPECIFICATIONS

Impedance	50 ohm
Frequency Range	0 to 11.0 GHz
V.S.W.R.	1.3 max
Working Voltage	1,000 volts rms max at sea level
Dielectric Withstanding Voltage	2,500 volts rms max at sea level
Contact Resistance	Center contact=1.0 Milliohms max
Contact Resistance	Outer contact=1.0 Milliohms max
Insertion Loss	< 2,5 dB
Insulation Resistance	5,000 Megohms min
Connector Body	Gold Plated
Center Pin	Gold Plated
Dielectric	Teflon
O-Ring	Not Present

Connector 1

SMA



Male Thread

Female Center Pin

Connector 2

SMA



Male Thread

Female Center Pin

Additional Images

