

Standard Gigabit Single-port PoE



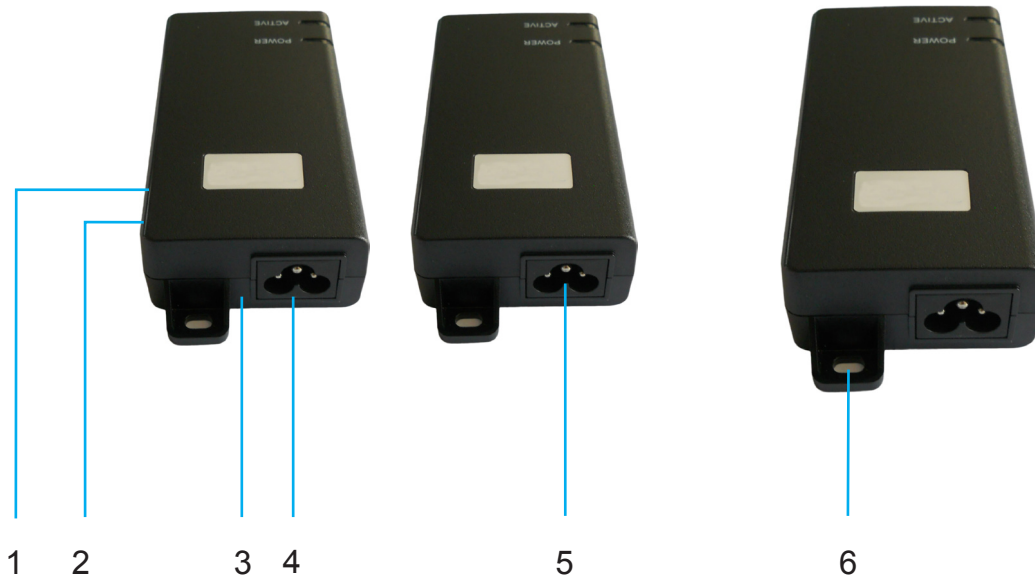
MAXPI30

Introduction

MAXPI30 is the single-port AT standard PoE midspan, with AT chip inside. The output voltage 55VDC/550mA, output power 30W.

Support IEEE802.3af/IEEE802.3at PD, Support no power for non-standard PD. It provide power for indoor wireless AP, network camera, Ip phone etc.

MAXPI30 with AT chip inside and only supply power for standard PD. It is adapted to use indoor, and work properly with input voltage 100VAC~240VAC. This power supply connected to other network PD by CAT5e, and the effective distance is 100M. It can be extended to 400 meters by PoE extender.



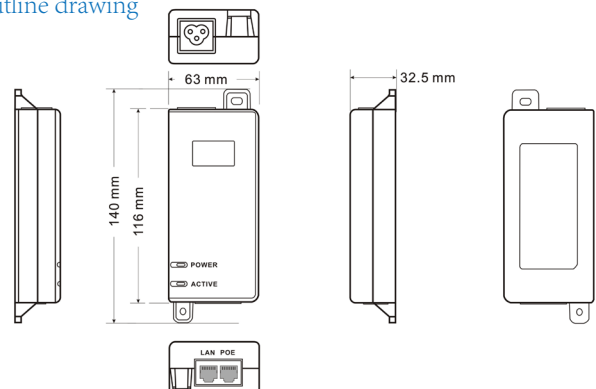
1. Power instruction
2. Load activations instruction
3. Data input port

4. PoE power output
5. AC power input
6. Mounting holes

Main specification

- Detect the PD if standard before supply power
- Output power: 30W
- Output current: 550mA
- Power Pin: 4/5(+), 7/8(-)
- Small size, high-power, lower cost
- Support power for IEEE802.3af/IEEE802.3at PD

Outline drawing



Specifications

Standards

- IEEE802.3 10Base-T Ethernet
- IEEE802.3u 100Base-Tx Fast Ethernet
- Support 10/100/1000Base-T LAN
- Support IEEE802.3af/IEEE802.3at PD
- RoHS Compliant
- WEEE Compliant, CE/FCC
- FCC Part 15, Class B
- EN 55022 Class B
- MTBF: 100,000 h@25 C

PoE power output

- Power Pin: 4/5(+), 7/8(-)
- Ethernet Pin: 1,2,3,4,5,6,7,8
- Data Rate: 10/100/1000Mbps
- Output power: 55VDC
- Output current: 550mA
- Input voltage: 100-240VAC
- Input current: 1.0A@100-240VAC
- AC Hz: 50-60Hz

Size&Weight

- Size: 140mm * 63mm* 32.5mm
- Weight: 200g

LED instructions

- AC power LED: GREEN
- ACTIVE Load LED: GREEN (DETECTION)
GREEN (LOAD)

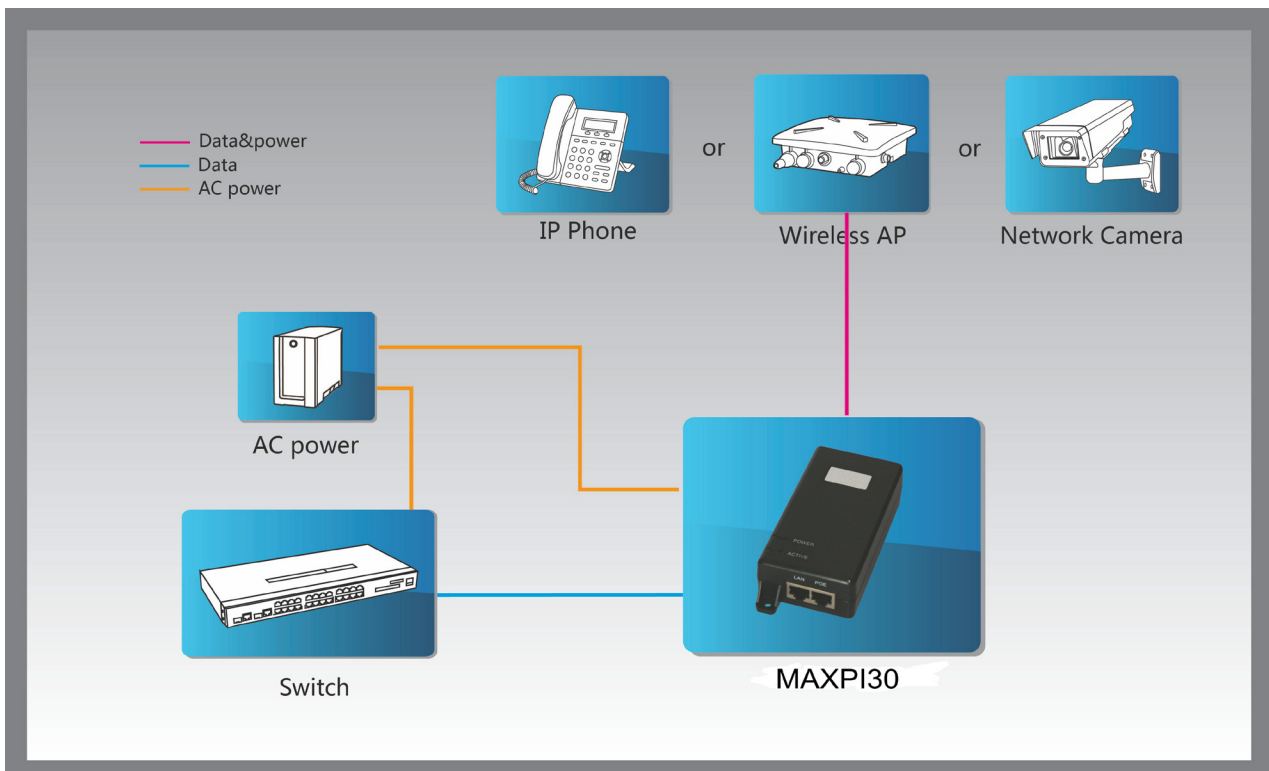
Working Environment

- Temperature: -5 to 45 °C
- Height: -304.8 meter to 3048 meters
- Humidity: Max to 90%, non-condensation

AC Surge Protection

- 1.5KA(8/20us)
- 3KV(1.2/50us)

Work functional picture



Order info. MAXPI30 55VDC/550mA/1000M/(4/5+, 7/8-)

Package info. MAXPI30 * 1
Power cable * 1
User Manual *1